

Sigtronics Control Yoke PTT Switch P/N 100702

Sealed aluminum alloy case. Terminals suitable for soldering. 1,000,000 cycles mechanical life. For use in Experimental Amateur-Built Aircraft.



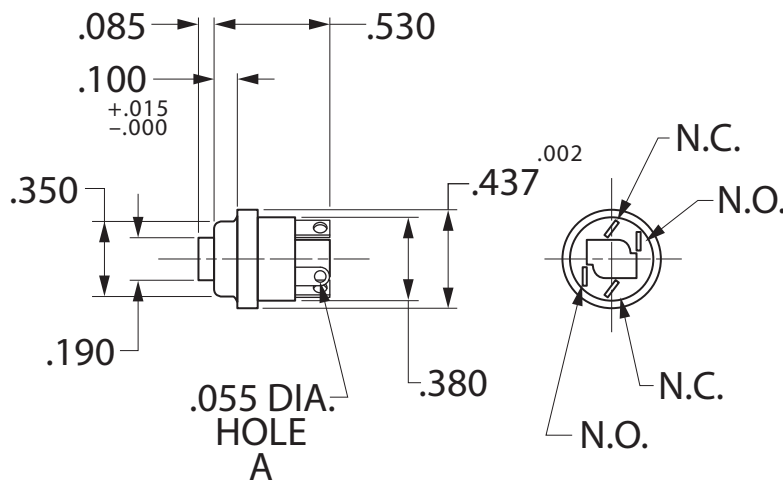
ELECTRICAL: (at 28 VDC or 115 VAC, 60/400 Hz.)

LOAD	SINGLE CIRCUIT	2-CIRCUIT
Resistive	5 Amps	4 Amps
Inductive	3 Amps	2 Amps
Lamp	2 Amps —	

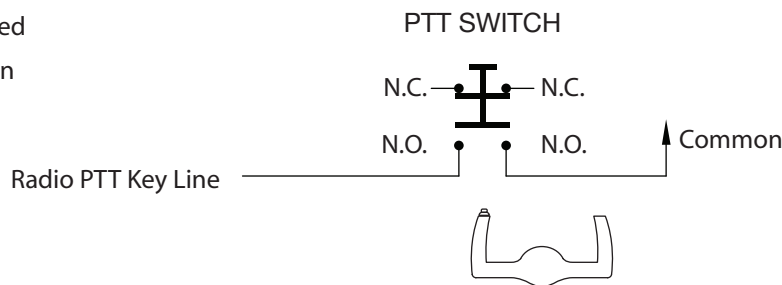
Low Level Option: 30 mV @ 10 ma. for 25,000 cycles.

MATERIALS:
 Case: Aluminum alloy, anodized.
 Button: Thermoplastic.
 Seal: Internal silicone rubber.
 Terminals: The terminals are suitable for soldering.

OPERATIONAL:
 Operating Force: 1.7 lbs. ±.5 lbs.
 Mechanical Life: 1,000,000 cycles.
 Electrical Life: 25,000 cycles.
 Dielectric Withstanding: 1050 Vrms.
 Temperature Range: -55°C to +85°C. operation.



N.C.: Normally Closed
 N.O.: Normally Open



Made in the U.S.A.

Specialists in "SOUND" Management
 San Dimas, California • www.sigtronics.com • (909) 305-9399